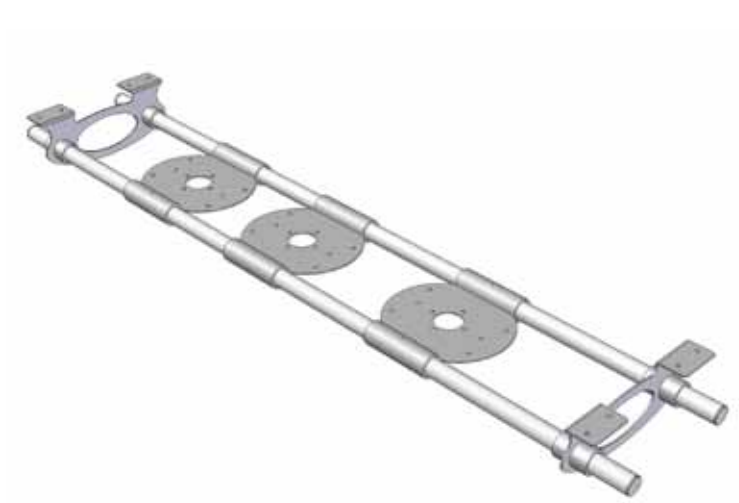


LP Morgan Shopfit Kit User Manual



LP Morgan Shopfit Kit Manual

Table of contents

To the owner	3
Unpacking	3
Mechanical installation	4
Extra features	5
Attaching Skyhooks	6 - 7
Joining two Shopfit Kits	8
Warranty information	9

Information in this document is subject to change without notice.

© Herma Technologies. All rights reserved.

This document is protected against unauthorised copying electronic or otherwise.

Trademarks used in this text: Herma, the Herma Logo, Galleria, LP Morgan and LP Morgan logo are registered trademarks of Herma Technologies.

Other trademarks and trade names used in this document remain the property of the relevant owners.

October 2011 Version 2.2

LP Morgan Shopfit Kit Manual

To the owner

Congratulations on purchasing an LP Morgan Shopfit Kit.

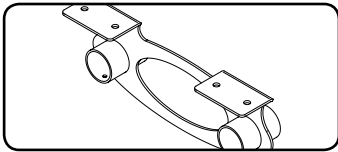
Combined with LP Morgan SkyHooks, displaying multiple projectors on the one screen has never been easier. Please take a moment to review this manual, it will ensure many years of trouble-free service.

Unpacking the Shopfit Kit

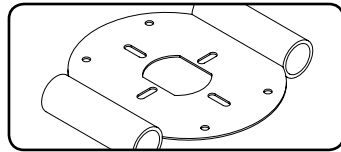
When unpacking the Shopfit Kit, please handle all parts with care.

Parts will be pre-assembled, however you will need to disassemble it before installation.

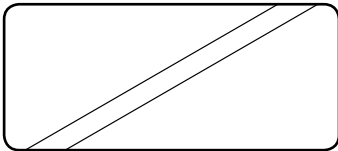
Supplied parts



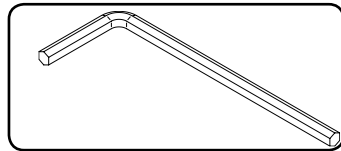
2 x ceiling brackets



3 x sliding plates



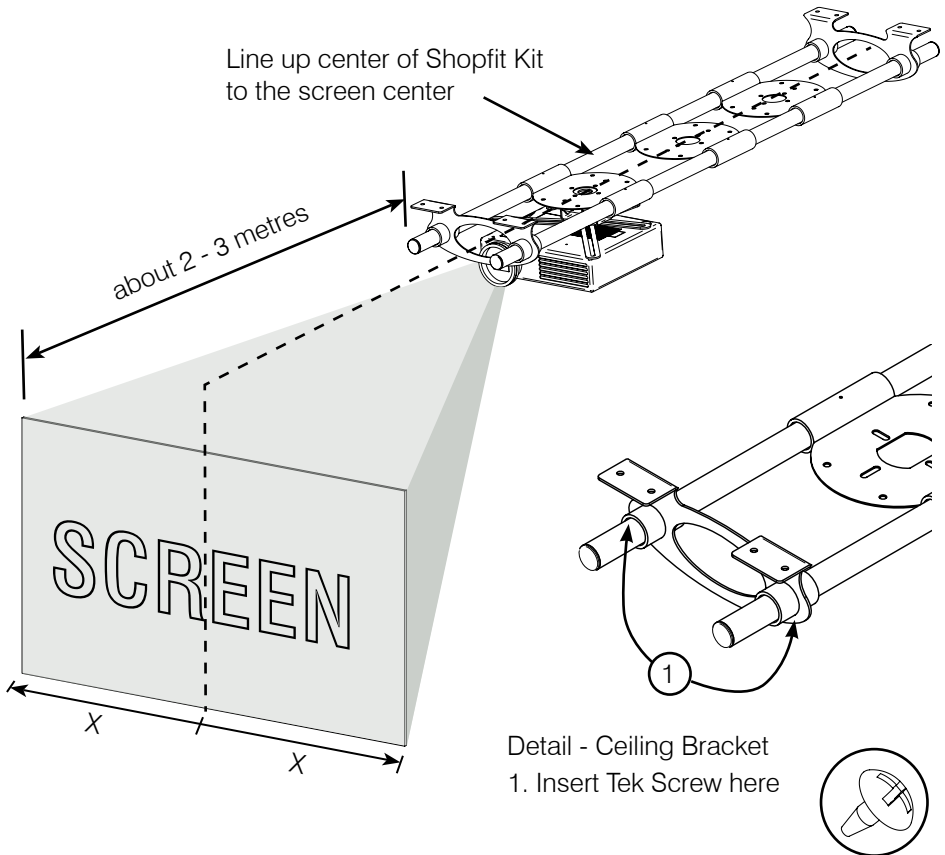
2 x steel tubes (1.5m long each)



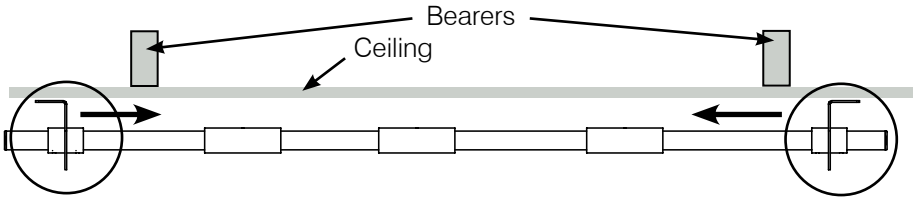
1 x 2mm allen key

Mechanical installation

1. Fit slider rail to ceiling, about 2 - 3 metres away from the centre of the screen. Dependant on projector throw distance, keystone correction and lens shift ability of your projector.
2. To adjust the position of the sliders on the rails, you can loosen or tighten up the M4 grub screws located on the top side of the sliders.

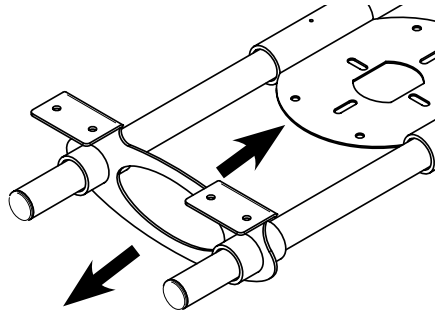


Extra features



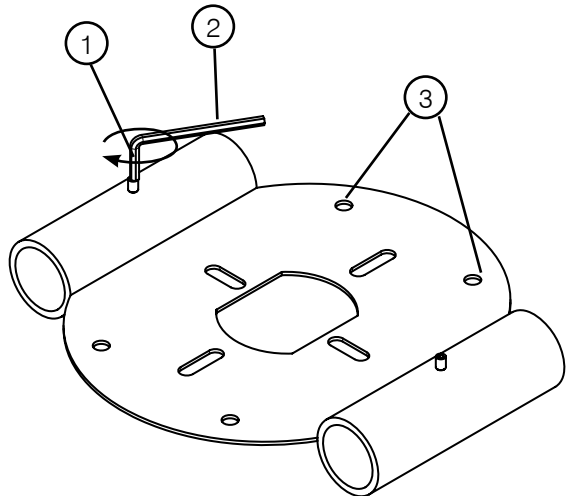
To secure Shopfit Kit, you can slide the ceiling brackets to suit ceiling bearer spacing.

Detail of ceiling bracket



Detail - Slider

1. M4 Grub screw
2. 2mm allen key
3. M8 Button Head Bolt + nuts

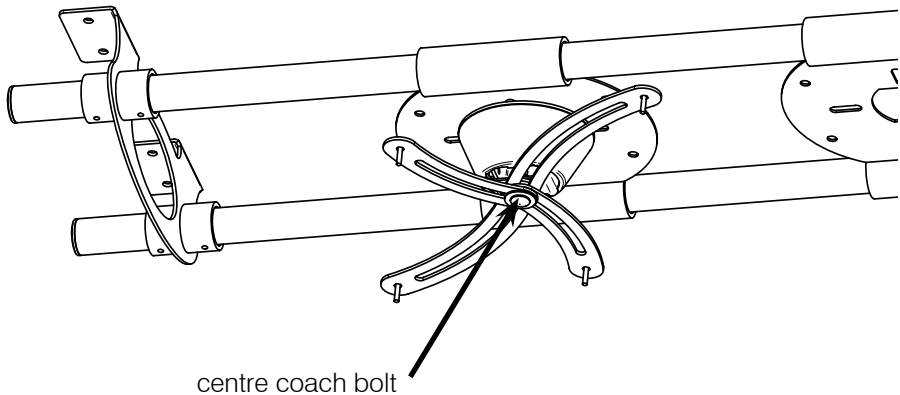


Attaching Skyhooks

You can mount up to three Skyhooks on the sliders included with the kit. Ensure the Direct to ceiling Skyhook is mounted to the slider closest to the screen, with longer drops further from the screen.

Direct to ceiling skyhooks:

1. Attach Skyhook to slider plate. Ensure that it is aligned squarely with the projection direction. This will allow yaw and tilt adjustments to be independent of each other.
2. Follow the instructions included with skyhook for mounting projector.

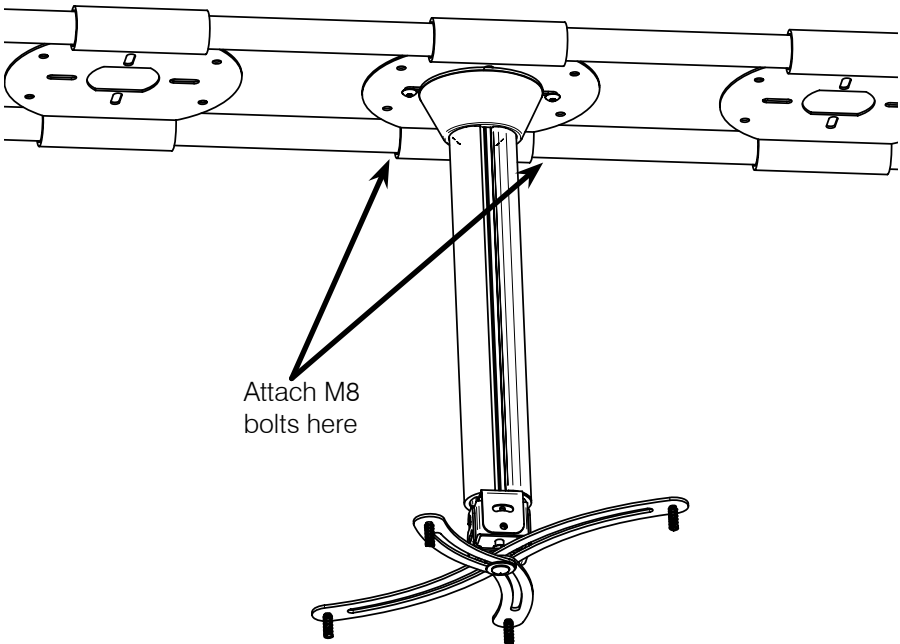


Note:

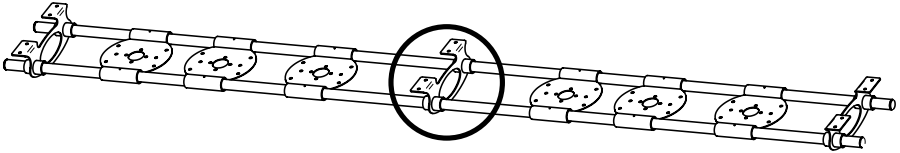
Make sure when lining up, that the skyhook top bracket is 90° to the center of the screen, Pan can then be adjusted via the centre coach bolt.

Adjustable Drop Skyhooks:

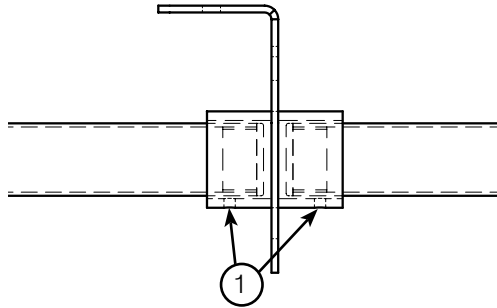
1. Attach Skyhook foot to slider plate.
2. Follow instructions included with skyhook for mounting projector and to shorten post length.



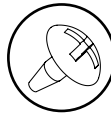
Joining two Shopfit Kits together



When joining two Shopfit Kits together, you will only need three ceiling brackets. Locate ceiling bracket in the middle of the rails, then secure them with tek screws through the bottom.



1. Insert Tek Screw here



Warranty information

Keep your original receipt for warranty.

Please fill out the online warranty form in order to qualify for the manufacturer's warranty.

<http://www.lpmorgan.com.au/owners.html>

The warranty covers defects in workmanship and materials, provided this product has been installed in a normal environment and maintained according to the written instructions. Herma warrants the product against loss of usefulness, discolouration or deterioration of optical quality within the warranty period as a result of manufacturing or material defects. This warranty applies only within Australia.

Please return your goods to the place of purchase for all warranty claims.

Conditions

Any equipment replaced pursuant to the terms of this warranty shall be retained by Herma.

All costs related to de-installation and re-installation of the product covered by this warranty are not the responsibility of Herma Technologies. Herma will not be responsible for any consequential damages during or following installation procedures.

Herma is not responsible for any freight costs relating to repair or replacement. Equipment must be returned to Herma in suitable packing to prevent damage in transit. Herma will not accept any responsibility for damage to the equipment caused by inadequate or unsuitable packing, or for any damage howsoever caused whilst the goods are in transit.

Herma Technologies shall not be liable for any injury, loss or damage, direct or consequential, arising out of the use of, misuse of, or inability to use, the equipment.

This Warranty does not cover any product which has been subjected to misuse, abuse, neglect, accidental or intentional damage, improper voltage or any alteration which affects the reliability or performance of the equipment not attributable to faulty manufacture, parts or labour and without limiting the generality of the foregoing.

This Warranty does not cover any product where usage, adaptation or installation are not in accordance with our written installation and operating instructions.

Warranty Period:

Two years from date of purchase.

**For more information on our range of products,
please visit www.lpmorgan.com.au, or contact
your local LP Morgan Retailer.**

Factory 4a, 6 Albert Street Preston Vic 3072

Phone: +61 3 9480 6233 **Fax:** +61 3 9480 6533

Email: info@herma.com.au www.lpmorgan.com.au

October 2011 Version 2.2

